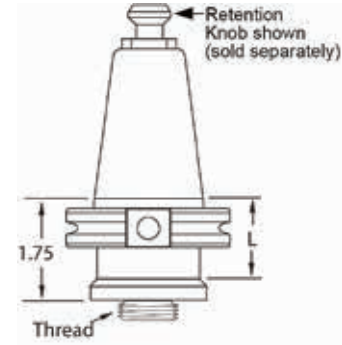


### CAT40 Boring Head Holders



- AT3 or better shank taper — accurate, rigid toolholder-to-spindle mount
- Less tool wear and replacement — less scrap
- Fully ground flange and V-groove — easy on the tool changers for less spindle and changer maintenance



CAT40 Boring Head Holders				
Taper	Fits Boring Head	Thread	L	Part #
CAT40	SPI, Yuasa, Criterion	7/8-20	1.38	<a href="#">RC4BH0875138</a>
CAT40	SPI, Yuasa, Criterion	1 1/2-18	1.38	<a href="#">RC4BH1500138</a>